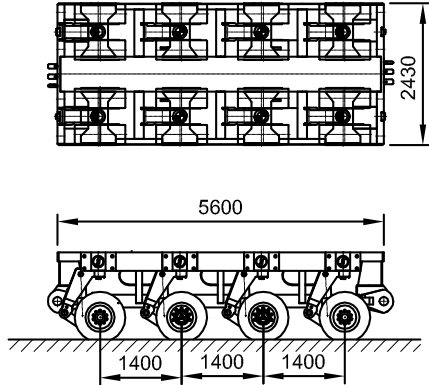
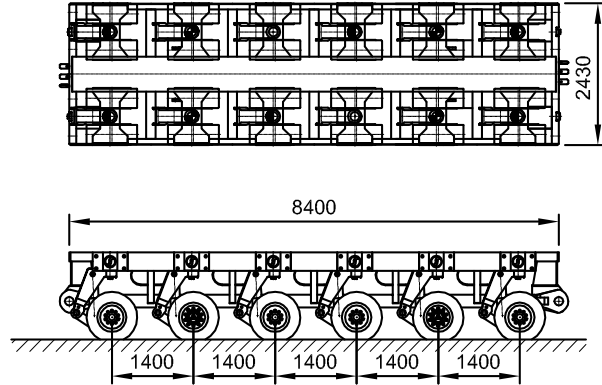
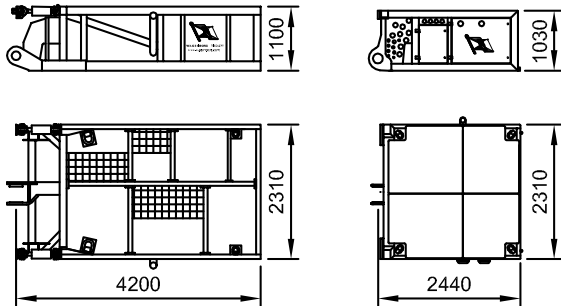
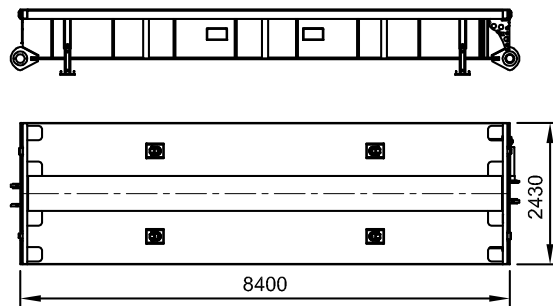
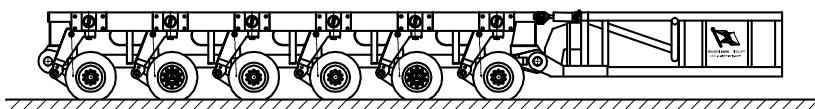
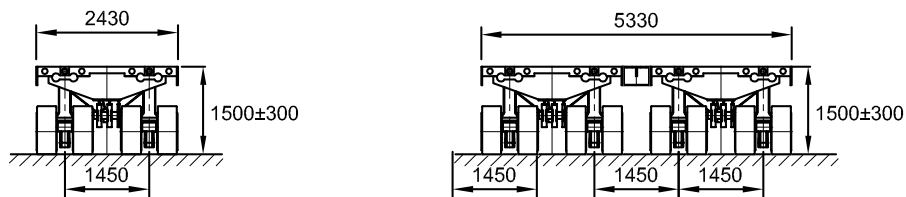


4 Lines

6 Lines


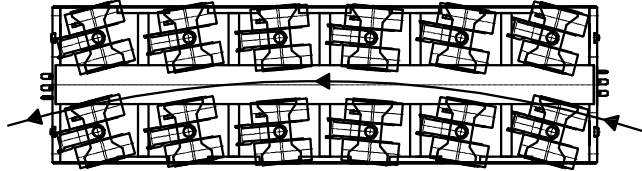
SPMT		
Specifications	4 Axle	6 Axle
Capacity	144 t	216 t
Weight	16 t	24 t
Max Axle load	40 t	40 t

Power Pack Units (PPU)

Spacer


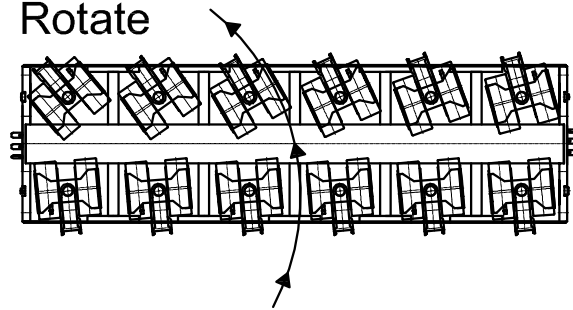
Powerpacks		
Capacity	Weight	Length
40 axles	7200 kg	4200 mm
20 axles	3500 kg	2440 mm



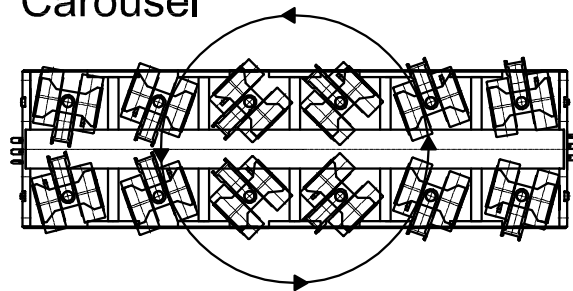
Normal



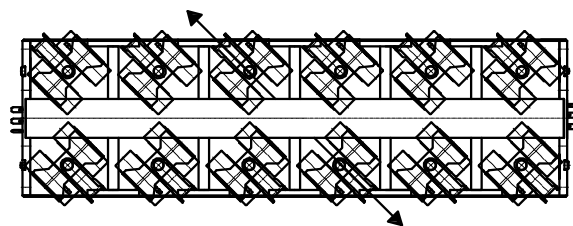
Rotate



Carousel



Crab



Transvers

